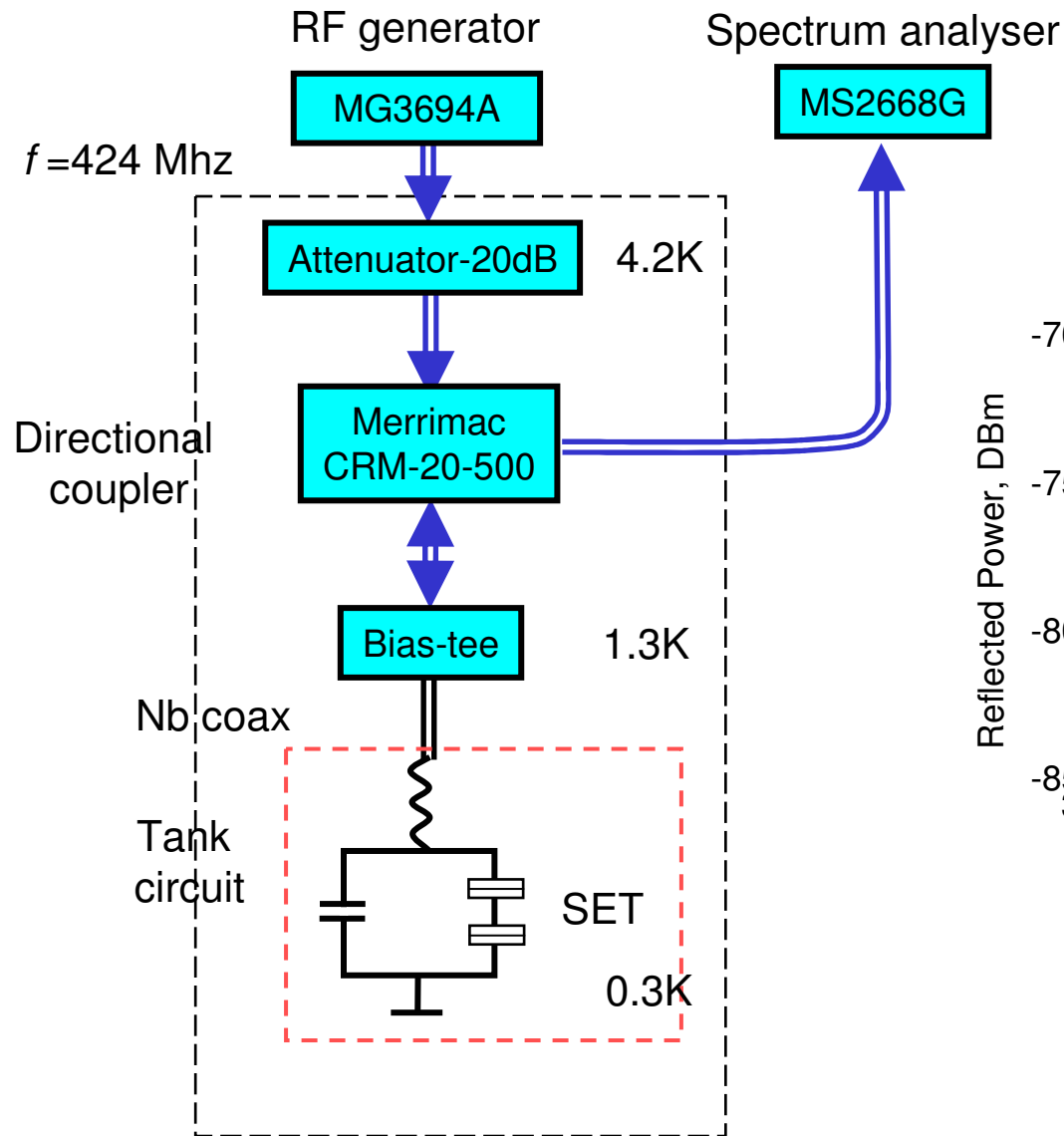
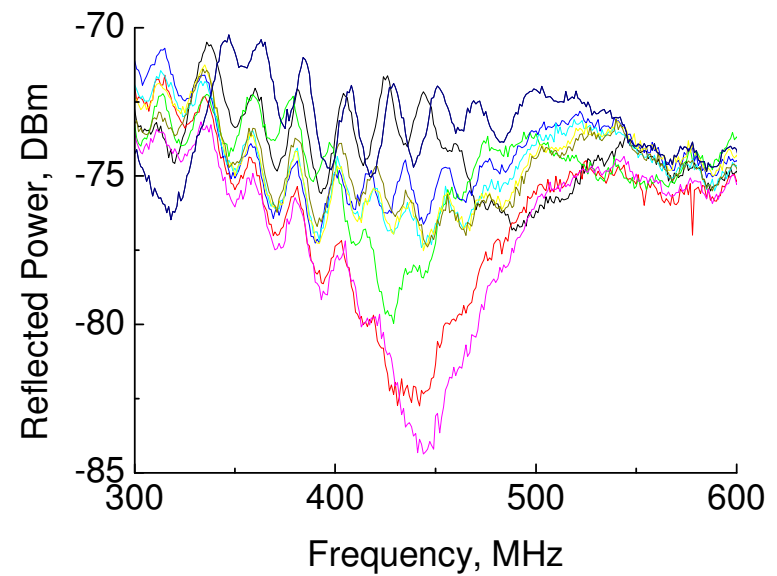


RF-SET for Qubits on Helium

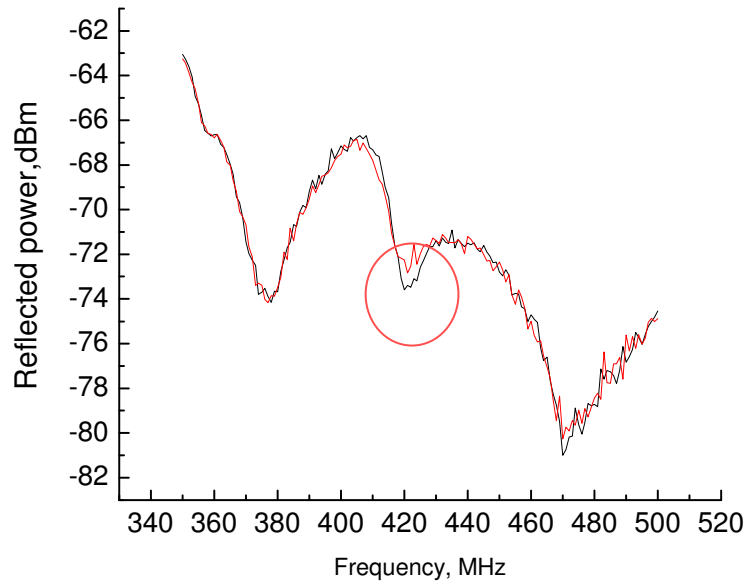


Room temperature test



RF-SET for Qubits on Helium

Spectroscopy of reflected power at -29 dBm



CBO in reflected power

